


	1	2	3	4	5	6
A						
B						
C						
D						
	1	2	3	4	5	6

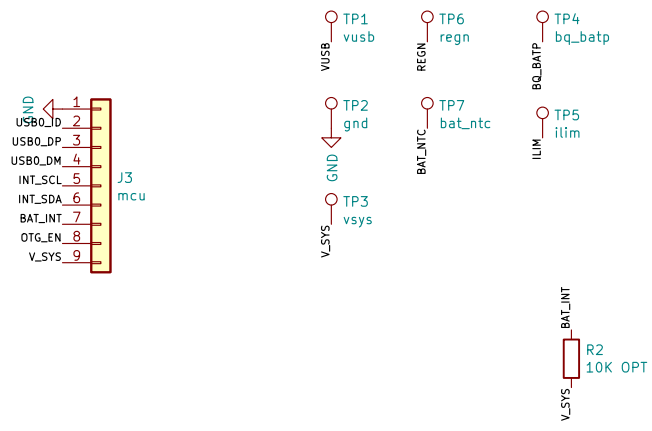
Sheet: power  
  
File: power.sch

Sheet: /  
File: otter-calc.sch

<b>Title:</b>		<b>Rev:</b>	
Size: A4	Date:	Id: 1/2	
KiCad E.D.A. kicad 5.1.8-db983349187ubuntu20.04.1			

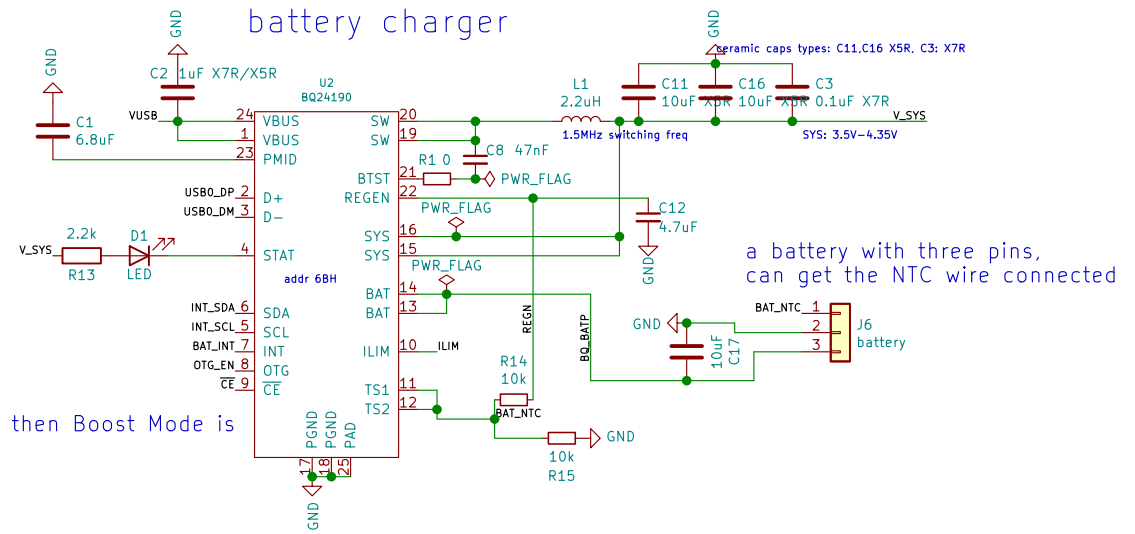
See bq24912.pdf page 42 for placement of capacitors around the chip and GP

- refs:
- <https://e2e.ti.com/support/power-management/f/196/t/756694>
  - <https://e2e.ti.com/support/power-management/f/196/t/432554>
  - <https://e2e.ti.com/support/power-management/f/196/t/877383>
  - eval board from TI: <https://www.ti.com/lit/ug/sluaa14c/sluaa14c.pdf>

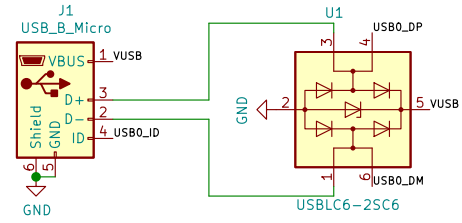


seen:  
INT tied to V\_SYS

### battery charger

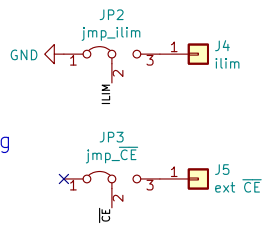


### USB OTG



if OTG is HIGH then Boost Mode is activated

otter calc:  
default ilim: GND  
default CE: floating



Sheet: /power/		File: power.sch	
<b>Title:</b>			
Size: A4	Date:	Rev:	
KiCad E.D.A.	kicad 5.1.8-db983349187ubuntu20.04.1	Id: 2/2	